

UMBROSA

SPECTRA®

SUMMIT

MODELS



Straight



Forward



Opposite

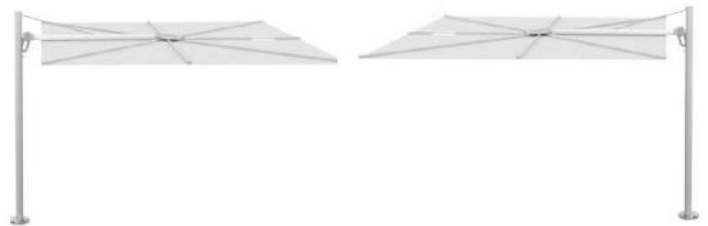


Duo



Multi

POSITIONS



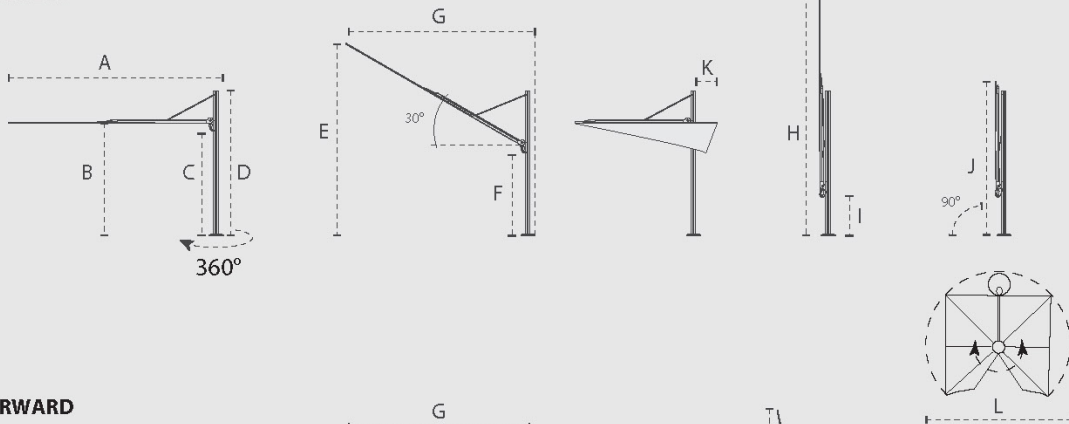
COLORS



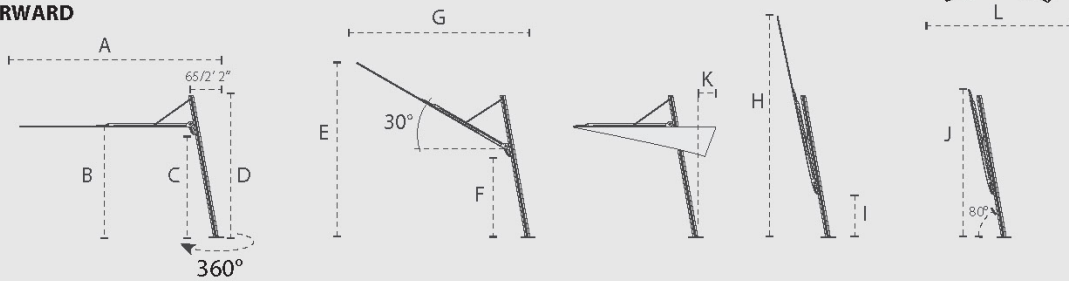
All colors of the fabric range furniture grade Solids' (no stripes or patterns) are available on special request with a minimum order quantity of 10 pcs.

DIMENSIONS

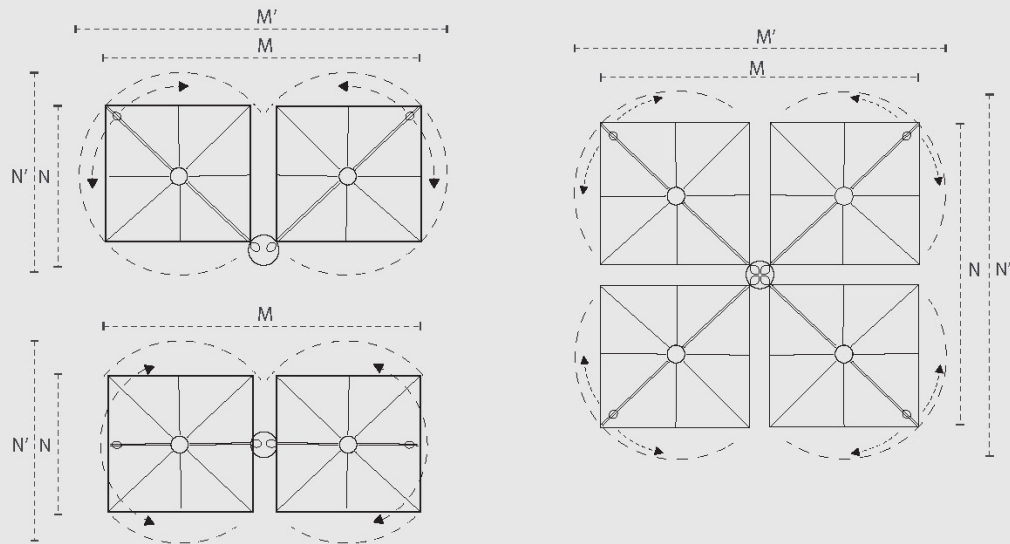
STRAIGHT



FORWARD



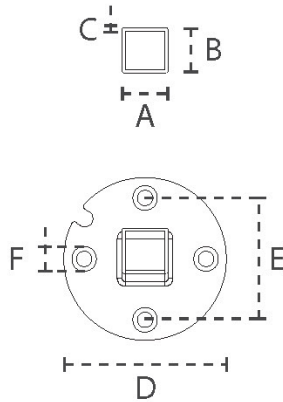
	A cm/ft	B cm/ft	C cm/ft	D cm/ft	E cm/ft	F cm/ft	G cm/ft	H cm/ft	I cm/ft	J cm/ft	K cm/ft	L cm/ft
Straight 2.5m/8' 2"	295/9' 8"	200/6' 7"	185/6' 1"	260/8' 7"	270/8' 10.3"	135/4' 5"	240/7' 10.5"	360/11' 10"	90/2' 11"	260/8' 7"	35/1' 1.8"	370/12' 2"
	3m/9' 10"	345/11' 4"	205/6' 9"	185/6' 1"	260/8' 7"	280/9' 2"	140/4' 7"	250/8' 2.4"	400/13' 2"	80/2' 8"	50/1' 7.7"	435/14' 3"
Forward 2.5m/8' 2"	330/10' 10"	195/6' 5"	180/5' 11"	255/8' 8"	270/8' 10.3"	135/4' 5"	305/10'	350/11' 6"	90/2' 11"	260/8' 7"	0/0"	370/12' 2"
	3m/9' 10"	380/12' 6"	195/6' 5"	180/5' 11"	255/8' 8"	280/9' 2"	140/4' 7"	315/10' 4"	390/12' 10"	80/2' 8"	5/1' 9.7"	435/14' 3"



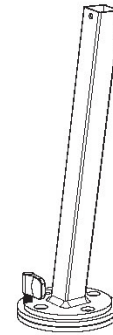
	A cm/ft	B cm/ft	C cm/ft	D cm/ft	E cm/ft	F cm/ft	G cm/ft	J cm/ft	I cm/ft	M cm/ft	M' cm/ft	N cm/ft	N' cm/ft
Spectra Duo	253/8' 4"	197/6' 6"	187/6' 2"	260/8' 7"	340/11' 2"	135/4' 5"	210/6' 10.7"	270/8' 10"	50/1' 7.7"	540/17' 9"	644/21' 2"	285/9' 4"	337/11' 1"
Spectra Multi	253/8' 4"	197/6' 6"	187/6' 2"	260/8' 7"	340/11' 2"	140/4' 7"	210/6' 10.7"	270/8' 10"	50/1' 7.7"	540/17' 9"	644/21' 2"	540/17' 9"	644/21' 2"
Opposite 250	295/9' 8"	200/6' 7"	185/6' 1"	260/8' 7"	270/8' 10"	110/3' 7"	240/7' 10.5"	260/8' 6.4"	90/2' 11.4"	560/18' 4.5"	n/a	250/8' 2"	370/12' 2"
Opposite 300	345/11' 4"	205/6' 9"	185/6' 1"	260/8' 7"	280/9' 2"	110/3' 7"	250/8' 2.4"	270/8' 10"	80/2' 7.5"	660/21' 7.8"	n/a	300/9' 10"	435/14' 3"

DIMENSIONS / MATERIALS SPIGOT

SINGLE

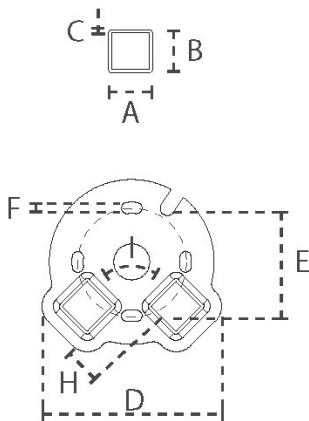


Material: Galvanised steel 8mm/0.3"

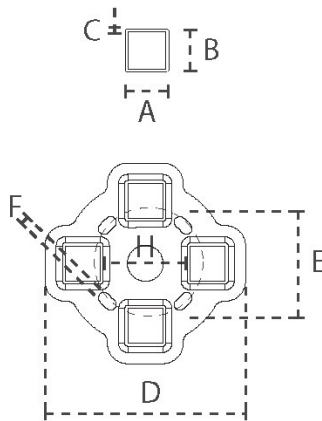


Geomet (marine grade)
coated steel 8mm/0.3"
Nylon 1mm/0.04"

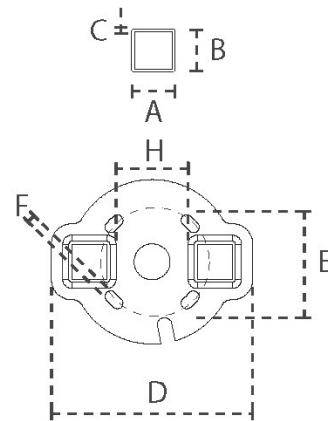
DUO



MULTI

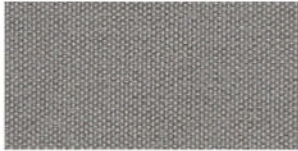


OPPOSITE



	A	B	C	D	E	F	G	H	I
	mm/inch	mm/inch	mm/inch	mm/inch	mm/inch	mm/inch	mm/inch	mm/inch	mm/inch
Straight/Forward	40/1.6"	40/1.6"	3/0.12"	215/8.5"	170/6.7"	11/0.43"	490/17.3"	-	-
Duo	40/1.6"	40/1.6"	3/0.12"	215/8.5"	170/6.7"	11/0.43"	490/17.3"	40/1.6"	45
Multi	40/1.6"	40/1.6"	3/0.12"	215/8.5"	170/6.7"	11/0.43"	490/17.3"	80/3.1"	45
Opposite	40/1.6"	40/1.6"	3/0.12"	215/8.5"	170/6.7"	11/0.43"	490/17.3"	80/3.1"	-

MATERIALS



FABRIC

Solidum – 100% Acryl 250 gr/m²
 Colorum – 100% Acryl 260 gr/m²
 More details – see spec sheet Fabrics
 Confection Scheme:



250 SQ
300 SQ



300 SQ Sunbrella



RIBS

Glass fiber ribs - Ø 16mm - 0.63"



POLE

Naturally anodized aluminum.
 Also available in Black (RAL 9005)*



OTHER MATERIALS

Handle: casted aluminum, powder coated RAL 7047 TEC.
 For Black Spectra in RAL 9005 TEC*

*RAL 9005 not available in the US, except with MOQ.

PACKAGING & TRANSPORT

Spectra	L (cm)	W (cm)	H (cm)	Weight (kg)	L (ft)	W (ft)	H (ft)	Weight (lbs)
Umbrella box	273	36	33	32	8'11.5"	1'2.2"	1'1"	70
Base L STD	88.6	88.6	15	17.5 kg	2'10.9"	2'10.9"	5.9"	38.5
Base L STD package	90	90	16	18.5 kg	2'11.4"	2'11.4"	6.3"	40.7

NICE TO KNOW

- Spare parts available
- Designed and manufactured in Belgium
- Storage bag included (PU coated fabric)
- Wind speeds up to 6 beaufort, 50 km/h, 31 mph when base is permanently fixed
- Tested at TU Delft

SAFETY STATEMENTS & WARNINGS

- Product is suitable for light wind and/or light rain only.
- Position product in direction of wind as recommended in user manual.
- Do not use product in inclement weather, such as strong wind, thunderstorms, heavy rain or snow, and make sure that the umbrella is closed and stored in advance.
- Never allow the umbrella to flap in the wind. This could cause personal injury, damage to personal property, damage to umbrella and/or umbrella canopy.
- Close product and secure strap when not in use.
- Do not use product without its base or unless attached to building structure, and keep umbrella secured to umbrella base or mount at all times.
- Do not use product over or near harsh chemicals or open flames.
- Place product on stable and level surface.
- Do not allow children to assemble or operate product.
- Do not leave product unattended.
- Store product indoors during winter and extreme weather conditions.
- When adjusting or assembling the umbrella or umbrella base, make sure fingers, toes or any other parts of the body are clear from moving parts. Failing to do so may result in serious injury.
- Only use Umbrosa replacement parts.
- Read owner's manual.
- Any modifications to the product or failure to follow recommended care will void the warranty.
- Wind damage is not covered under our limited warranty.

The content of this document, in particular the mentioned models, is protected by copyrights and/or design rights. The present document and its content is communicated to you for information purposes only. Any partial or total reproduction or any other use without our prior written permission is strictly prohibited. This technical sheet remains subject to possible changes. Of course we do our best to eliminate all mistakes, but Umbrosa is not responsible for the errors in the documentation of products. All measurements are approximate and are provided for informational purposes only.